

## Our simplest 24 hour programmable room thermostat!



Hidden under an easy access front flap are the two temperature dials, the higher comfort and lower economy settings. The end user simply dials up what they want for each, then using the dipswitch per time interval to choose between the higher or lower temperature setting, across the 24 hour period.

Intuitive use of dipswitches allow end user control without the need for a complex technical user manual.

For more information call **01993 824900** or visit [www.emmeti.co.uk](http://www.emmeti.co.uk)

Radiator System  
Manifolds

Plumbing  
Manifolds

UFH System  
Components

**Zone  
Controls**

Fitting  
Systems

## Programmable Thermostats

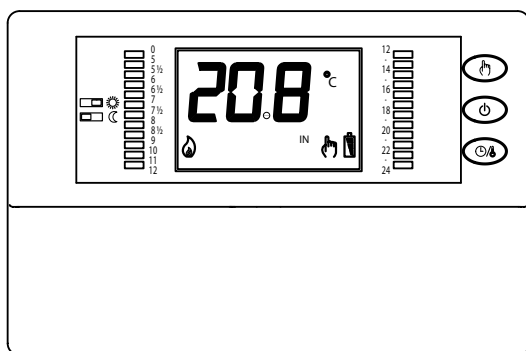
**New** 24hour programmable room thermostat with LCD

Size	Pcs./Pack	Code
230v/24v 3 contact with LCD display	1	U9132030

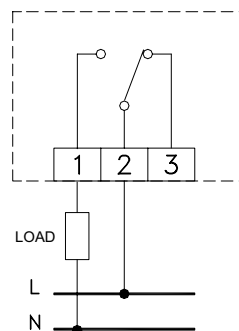
Designed for intuitive end user mechanical programming. Battery powered electronic programmable thermostat with simple mechanical dipswitch time interval programming, and large backlit LCD display. Front flap giving access to battery compartment and two-dial operated temperature setting comfort and economy facility. Also time display option.

## 24hr programmable room thermostat U9 132 030

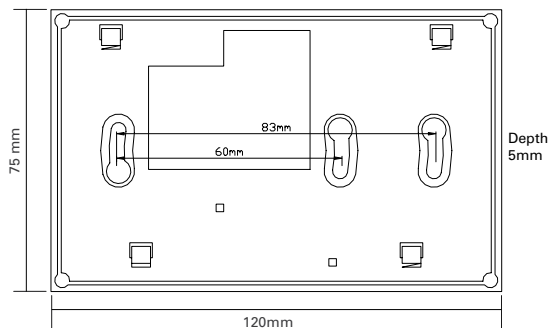
## Dimensions



## Wiring Diagrams



## Backplate Connections and Dimensions



## Technical Data

Power supply:	2 x 1.5V AA alkaline batteries
Battery life:	Better than 1 year
Sensor type:	NTC 4.7 kohm @ 25°C internal
Remote sensor (optional):	U9 132 052 – with casing U9 132 051 – cable mounted, 1.5m
Contact rating:	5 (1) A @ 250V~ SPDT
Differential:	0.2°C (asymmetric)
Accuracy:	Thermostat: ±1°C Display: ±0.1°C (0°C to 50°C range)
Setting Range:	Comfort: 10.0°C to 30.0°C Economy: 10.0°C to 30.0°C Antifreeze: 2.0°C to +25.0°C (3°C default) Hysteresis: 0.0°C to 5.0°C Offset: ±5.0°C (0.0°C default)
Enclosure rating:	IP 30
Working temperature range:	0°C .. 40°C
Storage temperature range:	-10°C .. +50°C
Humidity limits:	20% .. 80% rH non-condensing
Case:	Material: ABS self extinguishing V0 Colour: Case-Signal white (RAL 9003) Base: Anthracite grey (RAL 7016)
Weight:	c.218g
Max. size:	133 x 87 x 32 mm. (W x H x D)